

CONTACTUM



Fuse Switches & Enclosed Disconnects

CONTACTUM

Quality by design

Established in 1936, Contactum is a proud British brand with a distinguished heritage in the electrical industry. For nearly a century, we have been a trusted name in the supply of wiring accessories, circuit protection devices, and control products across residential, commercial, and industrial sectors.

Our reputation has been built on a foundation of quality, safety, and a design-led approach, with a focus on delivering products that meet the unique demands of the UK market.

Offering the latest solution-led wiring accessories to award-winning consumer units and commercial switchgear, Contactum delivers reliable, specification-grade electrical solutions designed to meet the evolving needs of electricians, contractors, wholesalers, and specifiers.

We pride ourselves on combining performance, compliance, and visual appeal across our ranges, supported by robust technical expertise and responsive customer service.



To support our commitment to excellence, Contactum operates an ISO Integrated Management System, covering quality (ISO 9001), environmental (ISO 14001), and occupational health & safety (ISO 45001) standards. This ensures that every aspect of our operations – from product development to customer service – is underpinned by internationally recognised best practices.

Further reinforcing our dedication to sustainability and corporate responsibility, Contactum has recently been awarded a medal-level rating by EcoVadis, a leading global assessment platform for environmental, social, and ethical performance.

This achievement highlights our continuous efforts to operate transparently, reduce environmental impact, and promote responsible business practices throughout our supply chain.

ecovadis



alfanar

As part of the alfanar group, Contactum benefits from the backing of a global leader in electrical manufacturing, energy, and infrastructure. Headquartered in Riyadh, Saudi Arabia, alfanar brings world-class scale, engineering excellence, and advanced production capabilities to the partnership.

A large proportion of Contactum's product offering is manufactured at alfanar Industrial City – a cutting-edge 700,000 square metre facility in Riyadh. This ISO-certified complex is equipped with automated production lines, quality testing laboratories, and R&D centres, staffed by skilled professionals committed to delivering consistent quality and innovation across all markets.



By combining the local insight and agility of a UK-based brand with the scale, resources, and innovation of a global manufacturing group, Contactum remains uniquely positioned to serve the needs of the modern electrical market. Whether supporting new build developments, refurbishment projects, or infrastructure upgrades, Contactum continues to deliver dependable solutions trusted by professionals across the UK and beyond.



Contents

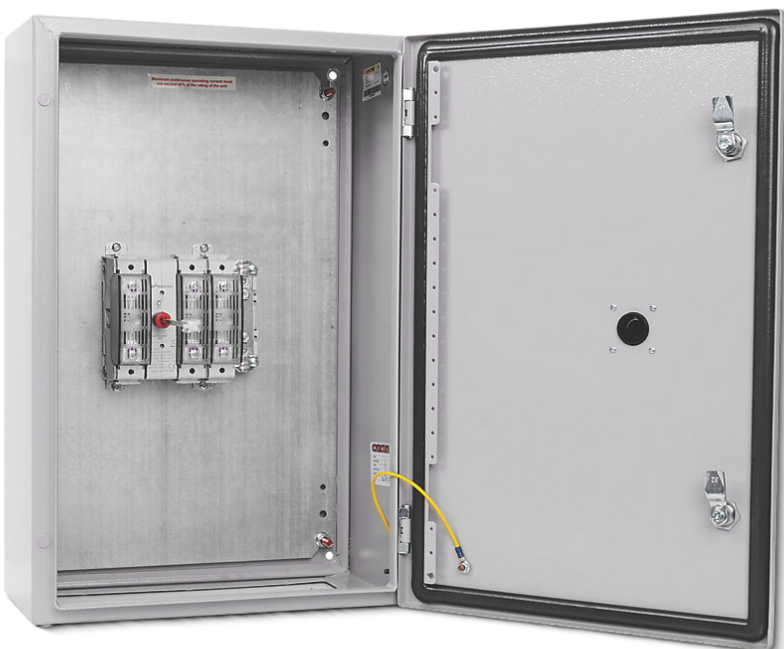
Metal Fuse Switches Features	4
Metal Fuse Switches	5
Metal Enclosed Disconnect Features	6
Metal Enclosed Disconnects	7
Insulated Rotary Switches	8
Technical Details	9
Gland Plate / Cut Out Drawing Number	10

Metal Fuse Switches



Features

- + BS EN 60269-1, BS EN 60529 & BS EN 60947-3
- + IP65 rated
- + Disconnectable solid neutral link
- + Hinged door
- + Auxiliary contacts available
- + Padlockable using up to 3 padlocks
- + Door interlocked padlockable handle
- + Bottom mounted gland plate
- + Terminal shrouds to IP20 line side
- + Switches supplied with nominal rated fuses
- + AC22 & AC23 for distribution & motor loads
- + Paint finish RAL 7035
- + Red/yellow handles available on request



Triple Pole & Neutral Fuse Switches



DFS200K

Rating:

Product Code:

Dimensions (mm)
H x W x D:

32A	DFS032K	300 x 200 x 150
63A	DFS063K	300 x 300 x 150
100A	DFS100K	600 x 400 x 200
125A	DFS125K	600 x 400 x 200
160A	DFS160K	600 x 400 x 200
200A	DFS200K	600 x 600 x 200
250A	DFS250K	600 x 600 x 200
315A	DFS315K	800 x 800 x 200
400A	DFS400K	800 x 800 x 200



DFS032K



DFS063K



DFS100K

4 Pole Fuse Switches



DFS2504K

Rating:

Product Code:

Dimensions (mm)
H x W x D:

32A	DFS0324K	300 x 200 x 150
63A	DFS0634K	300 x 300 x 150
100A	DFS1004K	600 x 400 x 200
125A	DFS1254K	600 x 400 x 200
160A	DFS1604K	600 x 400 x 200
200A	DFS2004K	600 x 600 x 200
250A	DFS2504K	600 x 600 x 200
315A	DFS3154K	800 x 800 x 200
400A	DFS4004K	800 x 800 x 200



DFS0634K



DFS1004K



DFS2004K

Metal Enclosed Disconnect



Features

- + BS EN 60947-3 & BS EN 60529
- + IP65 rated
- + Disconnectable solid neutral link
- + Hinged door
- + Auxiliary contacts available
- + Padlockable using up to 3 padlocks
- + Door interlocked padlockable handle as standard
- + Bottom mounted gland plate
- + AC22 & AC23 for distribution and motor loads
- + Terminal shrouds to IP20 line side
- + Paint finish RAL 7035
- + Red/yellow handles available on request



Triple Pole & Neutral Switches



DS400K

Rating:	Product Code:	Dimensions (mm) H x W x D:
32A	DS032K	200 x 200 x 150
63A	DS063K	200 x 200 x 150
100A	DS100K	400 x 300 x 150
125A	DS125K	400 x 300 x 150
160A	DS160K	400 x 300 x 150
200A	DS200K	600 x 600 x 200
250A	DS250K	600 x 600 x 200
315A	DS315K	800 x 800 x 200
400A	DS400K	800 x 800 x 200
630A	DS630K	800 x 800 x 200



DS032K

DS100K



DS200K



4 Pole Switches



DS4004K

Rating:	Product Code:	Dimensions (mm) H x W x D:
32A	DS0324K	200 x 200 x 150
63A	DS0634K	200 x 200 x 150
100A	DS1004K	400 x 300 x 150
125A	DS1254K	400 x 300 x 150
160A	DS1604K	400 x 300 x 150
200A	DS2004K	600 x 600 x 200
250A	DS2504K	600 x 600 x 200
315A	DS3154K	800 x 800 x 200
400A	DS4004K	800 x 800 x 200
630A	DS6304K	800 x 800 x 200

DS0634K



DS2004K



Insulated Rotary Switches

AC Isolators



Description:

32A TP&N IP65 AC Isolator
 63A TP&N IP65 AC Isolator
 100A TP&N IP65 AC Isolator

Product Code:

DX032AC
 DX063AC
 DX100AC

DC Isolators



Description:

16A 4 Pole IP66 DC Isolator
 25A 4 Pole IP66 DC Isolator
 32A 4 Pole IP66 DC Isolator

Product Code:

DX016DC
 DX025DC
 DX032DC

Accessories



Description:

4th Pole for DX100AC
 4th Pole for DX063AC
 4th Pole for DX020AC UKP1N

Product Code:

CPA22
 CPA21
 CPA20

Technical details

Fuse Switches

	DFS032K	DFS063K	DFS100K	DFS125K	DFS160K
Enclosure	47-SB302015D	47-SB303015D	47-SB604020D	47-SB604020D	47-SB604020D
Gland Plate/Cut Out Drawing Number	DIE70541	DIE70543	DIE70544	DIE70544	DIE70544
Gland Cut Out Dims (mm)	130 X 61	216 x 61	317 x 119	317 x 119	317 x 119
Gland Plate Dims (mm)	159 X 90	245 x 90	346 x 148	346 x 148	346 x 148
Switch Mech Part Number	KKV332	KVKE363BS	KVKE3100BS	KVKE3125BS	KE3160BS
Fuse size Size (Fixing centres)	10 Dia x 38 Lg	A3 (73mm)	A3 (73mm)	A3 (73mm)	A3 (73mm)
Fuse type supplied LAWSON/ BUSSMAN*	LFN10G32	TIS63	TIS100	TIS125	ODD160 *
Fuse type supplied Mersen	FR10GG40V32	BTIS42V63	BTIS42V100	BTIS42V125	BTIS42V160
Terminal Size	2.5 - 35	6 - 70	6 - 70	6 - 70	6 - 70

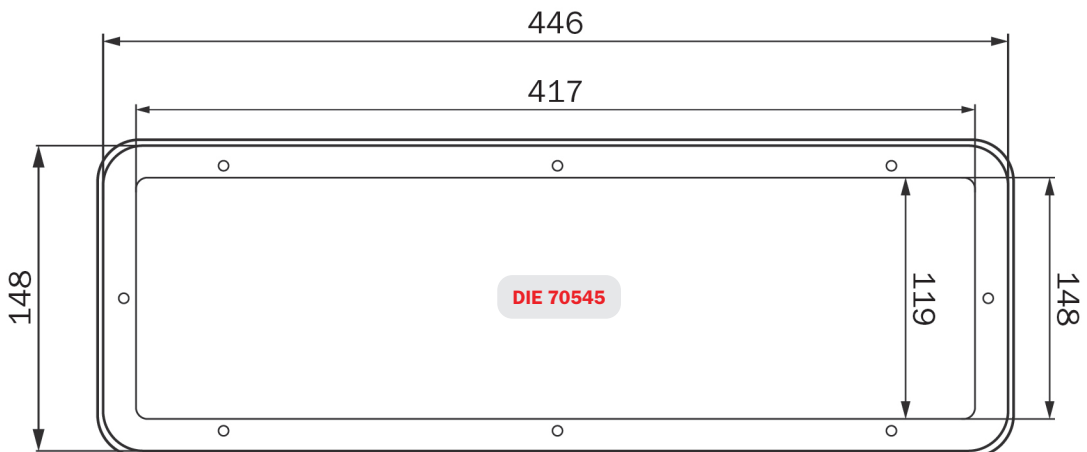
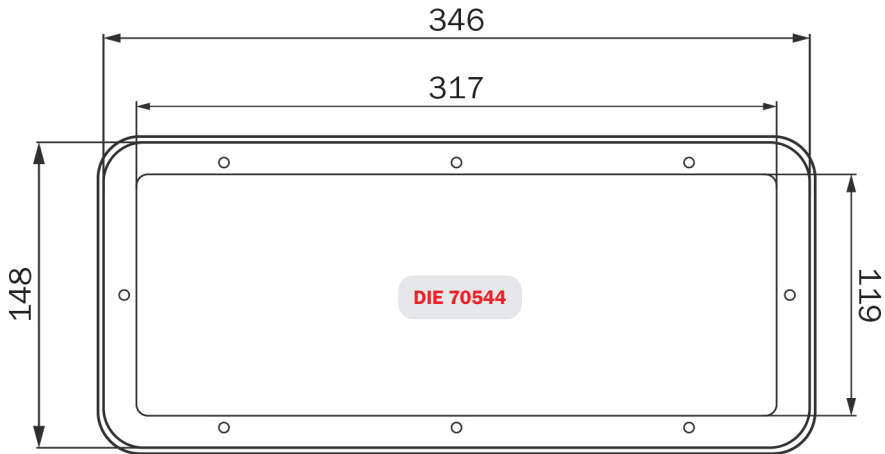
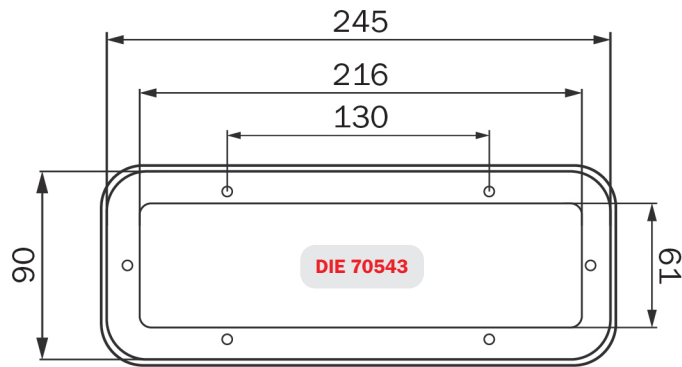
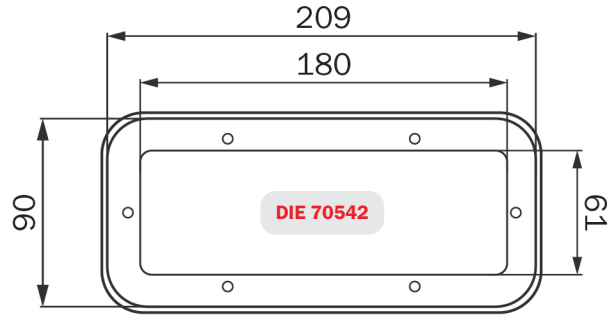
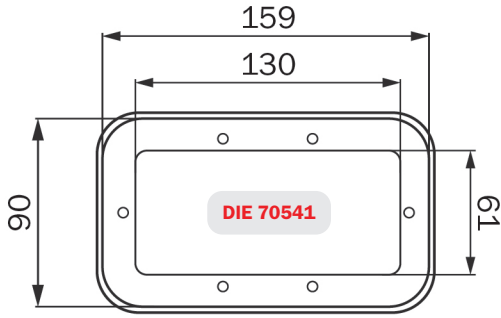
	DFS200K	DFS250K	DFS315K	DFS400K
Enclosure	47-SB606020D	47-SB606020D	47-SB808020D	47-SB808020D
Gland Plate/Cut Out Drawing Number	DIE70545	DIE70545	DIE70544	DIE70544
Gland Cut Out Dims (mm)	417 x 119	417 x 119	317 X 119 -(X2)	317 X 119 -(X2)
Gland Plate Dims (mm)	446 x 148	446 x 148	346 X 148 -(X2)	346 X 148 -(X2)
Switch Mech Part Number	KVKE3200BS	KVKE3250BS	KVKE3315BS	KVKE3400BS
Fuse size Size (Fixing centres)	B2 (111mm)	B3 (111mm)	B3 (111mm)	B4 (111mm)
Fuse type supplied LAWSON/ BUSSMAN*	CTF200	TKF250	TKF315	TMF400
Fuse type supplied Mersen	BTF42V200	BTKF42V250	BTKF42V315	BTMF42V400
Terminal Size	M10	M10	M10	M10

Enclosed Disconnects

	DS032K	DS063K	DS100K	DS125K	DS160K
Enclosure	47-SB202015D	47-SB202015D	47-SB403015D	47-SB403015D	47-SB403015D
Gland Plate/Cut Out Drawing Number	DIE70541	DIE70541	DIE70543	DIE70543	DIE70543
Gland Cut Out Dims (mm)	130 X 61	130 X 61	216 x 61	216 x 61	216 x 61
Gland Plate Dims (mm)	159 X 90	159 X 90	245 x 90	245 x 90	245 x 90
Switch Mech Part Number	KU340N	KU363N	KU3100	KU3125	KU3160
Terminal Size	1.5 - 16	2.5 - 35	6 - 70	6 - 70	6 - 70

	DS200K	DS250K	DS315K	DS400K	DS630K
Enclosure	47-SB606020D	47-SB606020D	47-SB808020D	47-SB808020D	47-SB808020D
Gland Plate/Cut Out Drawing Number	DIE70545	DIE70545	DIE70544	DIE70544	DIE70544
Gland Cut Out Dims (mm)	417 x 119	417 x 119	317 X 119 - (X2)	317 X 119 - (X2)	317 X 119 - (X2)
Gland Plate Dims (mm)	446 x 148	446 x 148	346 X 148 - (X2)	346 X 148 - (X2)	346 X 148 - (X2)
Switch Mech Part Number	KU3200W	KU3250W	KU3315	KU3400	KU3630
Terminal Size	M8	M8	M10	M10	M12

Gland Plate / Cut Out Drawing Number



Fuse Switches & Enclosed Disconnects

CONTACTUM

www.contactum.co.uk

020 8208 7419

sales@contactum.co.uk



@ContactumLtd



Contactum Ltd



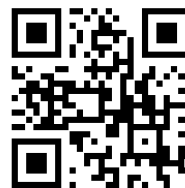
@ContactumLtd



Contactum Ltd



@ContactumLtd



Scan me for more
info on our website



ENCB - RevLev02



5 056199 093724 >