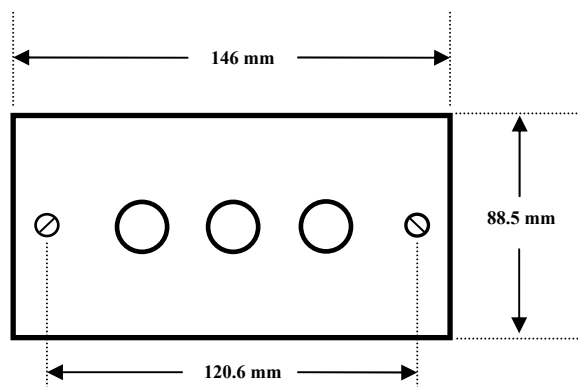
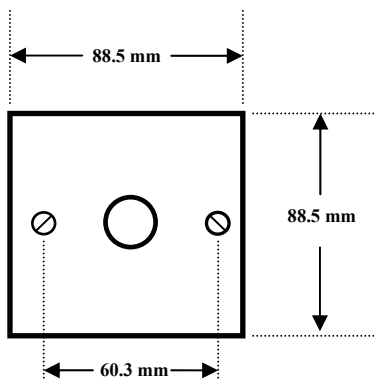


Tungsten Dimmers



Technical Specifications

Voltage

- Typically 230V a.c 50Hz

Wattage

- 400W and 250W dimmers available in 1G, 2G, 3G and 4G variants

Loading rules

- Please de-rate by **50%** when used with mains halogen lighting. Please note: Maximum loading permissible of 630W on a single gang plate and 1000W on a double gang plate. This product is **NOT** suitable for Low Voltage or fluorescent lighting circuits

Standards

- To BS EN 60669-2-1 & BS EN 55015

Dimensions

- Dimensions: 88.5 mm x 88.5 mm with fixing centres 60.3 mm apart and 88.5mm x 146mm with fixing centres 120.6mm apart

Wall box

- Minimum flush wall box depth of 25mm (35mm recommended)

Guarantee

- All products are guaranteed for 3 years from date of manufacture

GUIDELINES FOR INSTALLATION

Safety Instructions

- Before starting any work, ensure that you read and fully understand this literature sheet.
- Ensure that mains supply has been isolated before commencing installation.
- Ensure that the cable type and rating is correct for the installation

! IF IN ANY DOUBT CONSULT A QUALIFIED ELECTRICIAN !

Wiring Diagram

