



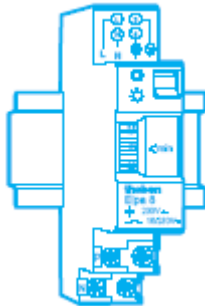
Control Devices Data Sheet

Staircase Timer (1-7 minutes)

Product Code: TSSL1

Modules: 1

Mounting Instructions:



⚠ Safety Information

The connection and installation of electrical appliances must be performed by a skilled electrician only. Any intervention into or modifications to the appliance shall lead to the lapse of all warranty rights. Comply with your national regulations and all relevant safety stipulations.

Technical Data:

Operating Voltage: 190 - 240V~ 50 -60Hz

Switching Capacity: 16A Resistive
2000W Tungsten Lamps
2000W Fluorescent Lamps

Time Range 1 – 7 minutes

Setting:

Setting Operation: Switch on the front of device:
In up position = time controlled lighting
In down position = continuous lighting

Time Setting: Adjust wheel on the front of device:
Downwards = reduces time
Upwards = increases time

Technical Services 020 8208 7414

Contactum Ltd, Victoria works, Edgware Road, Cricklewood, London, NW2 6LF

Tel: 020 8452 6366, Sales : 020 8208 7419, Fax : 020 8208 3340

www.contactum.co.uk

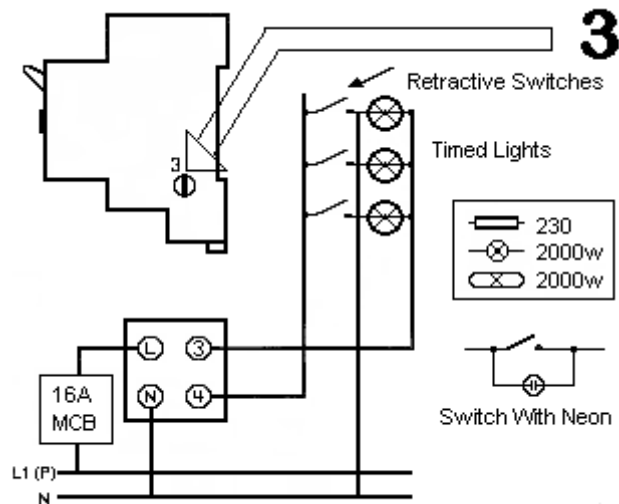
Connections:

Before making any connections ensure the selector switch on the side of the device is set to the correct position, 3 or 4 lead positions as required.

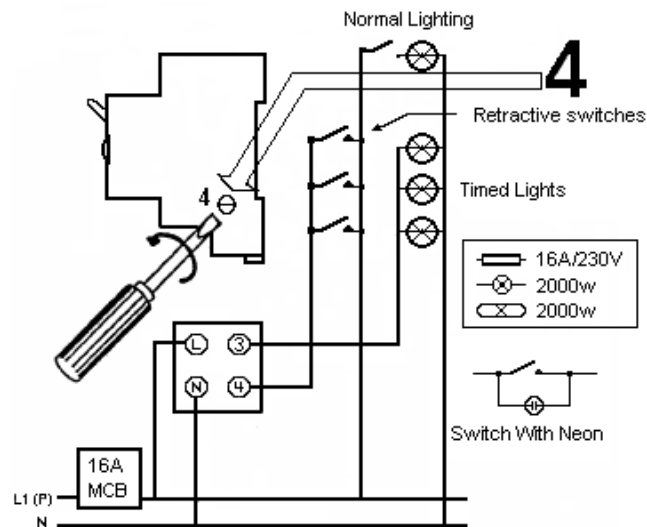
Connect the time switch as shown in the diagrams. Note that there is no limit to the number of switches.

Care must be taken to ensure proper phase connection to terminal P and consumer connection to terminal 3.

3 Lead Connection: (Timed, reswitchable lighting)



4 Lead Connections: (Timed, reswitchable lighting. Untimed standard switches possible)



Technical Services 020 8208 7414

Contactum Ltd, Victoria works, Edgware Road, Cricklewood, London, NW2 6LF

Tel: 020 8452 6366, Sales : 020 8208 7419, Fax : 020 8208 3340

www.contactum.co.uk