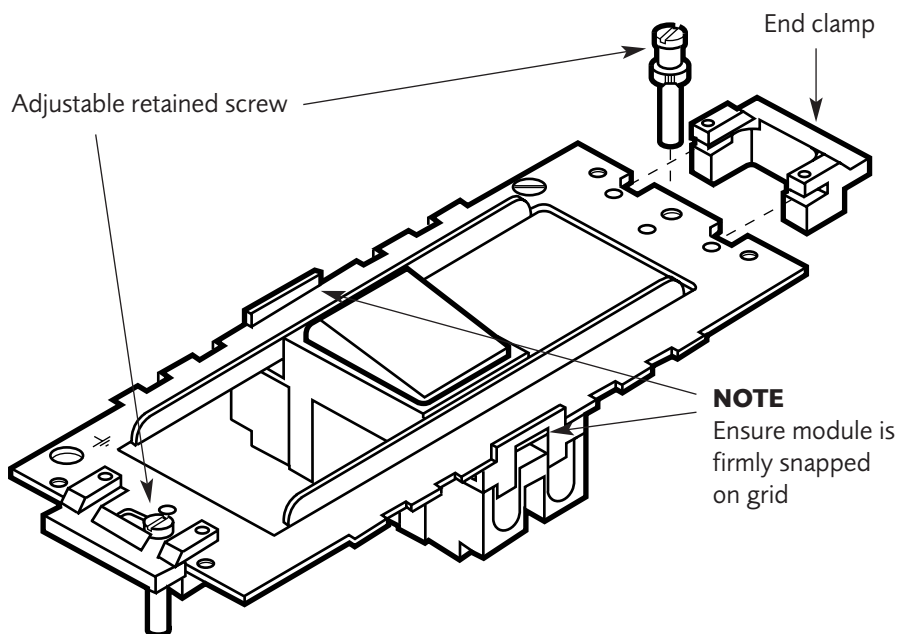


# CONTACTUM

## Gridplates



These grid plates are supplied with removable (pull off) end clamps to enable compatibility with all styles of cover plate and flush/surface boxes.

### **With end clamps fitted**

1. All Contactum flush plate finishes\*.
2. Moulded plates mounted on surface Contactum pattresses.

### **Without end clamps**

1. Surface plate finishes.

The plates are adjustable, with or without the end clamps fitted.  
For applications where walls have uneven/broken plaster finishes.

**\*Note:** on certain pre-modified metal plate finishes (SS, SB, HP) it is necessary to remove the end clamps to align the grid. This is not necessary on the modified plates, which are identified with an 'A' suffix on the carton label.

### **Contactum Ltd.**

Victoria Works, Edgware Road, Cricklewood, London NW2 6LF  
Tel: 020 8452 6366 Fax: 020 8208 7416 Website: [www.contactum.co.uk](http://www.contactum.co.uk)